



TK40

CRAWLER CRANE

TK40

Easy to transport. Suitable for all types of terrain.
Perfect for narrow construction sites.





BEST SELLER

The TK40 is the best-selling machine in the TeknoGRC range.

Our authorized dealers are:

- LTM Rent, division of GEO LSA (Italy)
- Foster Cranes (United Kingdom)



40 t
MAX LOAD CAPACITY

31.5 m
MAX LIFTING HEIGHT

4 km/h
MAX SPEED

31 t
TOTAL WEIGHT

149 kW
ENGINE

The TK40 is a compact and easy to maneuver crawler crane. Its steering wheel, its travel system managed by a Danfoss control unit and its small size allow the operator to maneuver this crane in restricted areas. The tracked undercarriage with widenable track and the height of only 3120mm guarantee ease of loading and transport.

BOOM

TELESCOPIC BOOM

Telescopic boom in high-strength steel. 1 base section, 1 independent telescopic section and 3 synchronized telescopic sections.

JIB

Jib: 1.5 m.

Jib: 6 m - foldable and adjustable from 0° to 20°.

BOOM EXTENSION CYLINDER

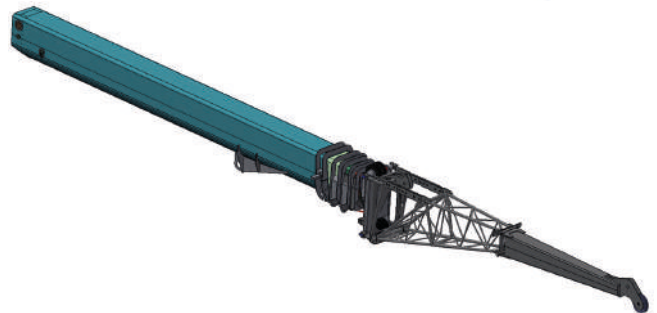
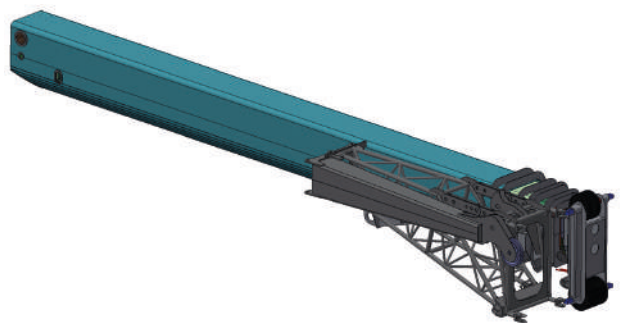
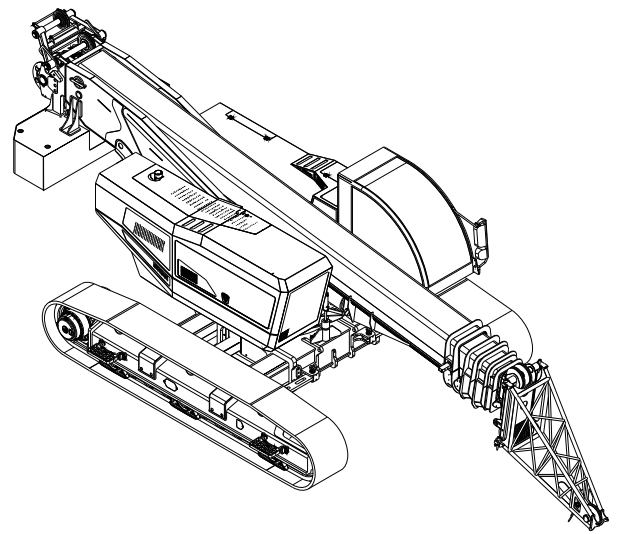
Single two-stage cylinder.

BOOM LENGTH

30.65 m

PICK & CARRY

Lifting up to 12,000 kg and 4 km/h with fully extended track width.





CAB

DRIVING

Ergonomic driving with steering wheel and pedal accelerator. Dual Path mode with active counter-rotation. Automatic/manual Park Brake management.

OPERATOR'S CAB

Cab with great visibility, comfortable and equipped with sliding windows. Front and upper glass with wiper. Corrosion resistant paint. Wide visibility for different working conditions.

COMFORT

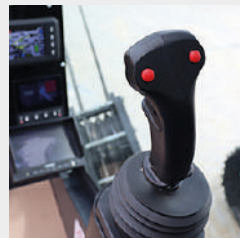
Air conditioning, heating and suspension seat. Seat belts. Ample lighting in the operator's cab.



Ergonomic driving with steering wheel and pedal accelerator



Clear and intuitive instrument panel



Control joystick for operating functions (right)



Control joystick for operating functions (left)

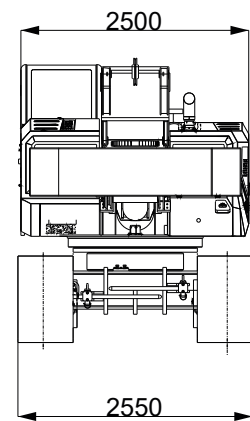
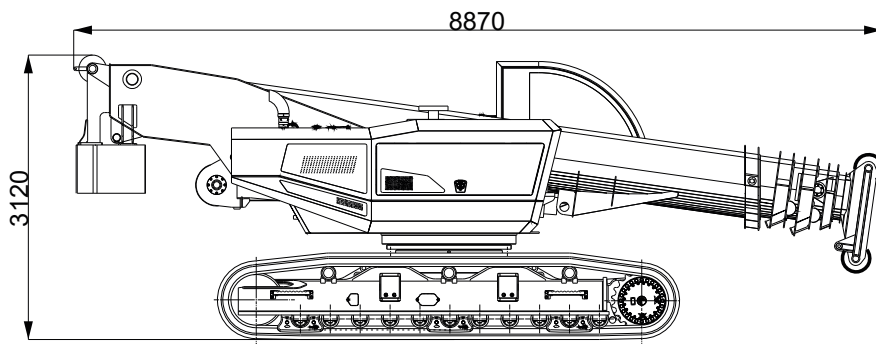
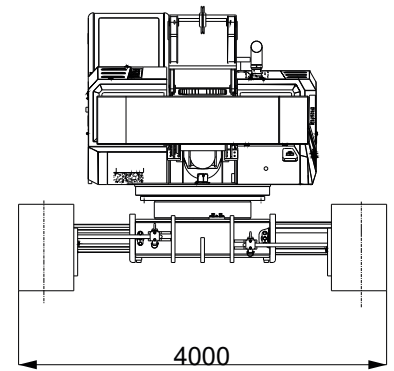
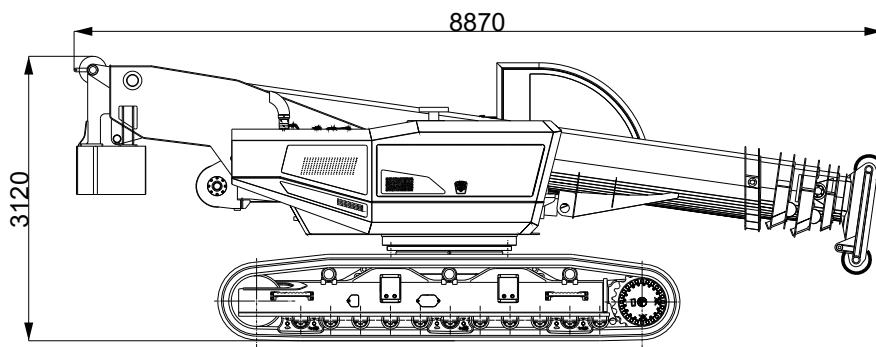


Comfortable cab equipped with heating, air conditioning, suspension seat



TECHNICAL FEATURES	Maximum load capacity	40	t
	Capacity	40	t
	Maximum lifting height	31.5	m
OPERATING SPEED	Winch speed	67/154	m/min
	Length and diameter of winch ropes	L 160 Ø 14	m - mm
	Boom lifting speed	55	s
	Boom extension speed	100	s
	Upper structure rotation speed	2	r/min
	Maximum speed	4	km/h
	Maximum slope	87.8	%
CRANE	Emissions	EU 2016/1628	
	Total weight	31	t
DIMENSIONS	Total size	8,870x2,550x3,120	mm
	Boom length	30.65	m
	Boom tilt	-2 +80	°

DIMENSIONS



EQUIPMENT

UNDERCARRIAGE

Undercarriage	Tracked undercarriage with hydraulically widenable track. Track width of 600mm.
Travel	Hydraulic travel drive controlled by a Danfoss control unit. Two pumps and two closed-circuit motors allow it to reach 4 km/h. The machine is equipped with an anti-dumping filter to absorb the oscillations on the pedal and on the steering wheel during the work phase.
Electrical system	CAN Bus data transmission. 24 Volt direct current.

DRIVING

Driving	Ergonomic driving with steering wheel and accelerator pedal. Dual Path mode with active counter-rotation. Automatic/manual Park Brake management.
Operator's cab	Cab with great visibility, comfortable and equipped with sliding windows. Front and upper glass with wiper. Corrosion resistant paint. Wide visibility for different working conditions.
Comfort	Air conditioning, heating and suspension seat. Seat belts. Ample lighting in the operator's cab.

BOOM

Telescopic boom	High-strength steel. 1 base section, 1 independent telescopic section and 3 synchronized telescopic sections.
Boom extension cylinder	Single two-stage cylinder.
Boom length	30.65 m

LIFTING

Pick & Carry	Lifting up to 12,000 kg and 4 km/h with fully extended track width.
Travel and lifting	Lifting up to 1,000 kg with free track. Lifting program useful for transferring equipment.





EQUIPMENT

UPPER STRUCTURE

Chassis	Anti-torsion welded structure, in high-strength steel.
Rotation	Continuous 360° using axial piston hydraulic motor. Planetary gearbox with internal toothed fifth wheel and double row of balls. Multiple disc negative brake.
Control	Hydraulically operated manipulators with the possibility of simultaneous proportional maneuvers.
Lifting winch	Variable displacement axial piston engine. Lifting drum with integrated planetary gearbox and parking brake with multiple discs. Block valve and descent control. Cable gland to improve the winding of the rope on the drum.
Hydraulic system	Open circuit system with axial piston hydraulic pumps. Proportional hydraulic distributors with load sensing power regulation. Possibility of performing multiple maneuvers simultaneously. Heat exchanger for oil cooling. Oil filtering through 1 cartridge filter on the return circuit.
Hydraulic oil tank	400 l
Electrical system	24 V power supply. CAN Bus vehicle management network. 2 batteries, each with 143Ah.
Safety devices	Electronic load limiter with indication of boom tilt, boom length, lifted load, maximum liftable load. Limit switches. Safety valves on all hydraulic functions.
Ballast	In a single piece with a weight of 4.4 tons.
Cameras	1 camera located on the rear side to increase visibility during more restricted maneuvers. 1 camera for supervising the winding of the rope on the winch.

ENGINE

Engine	Cummins B 4.5 Stage V- Tier 4f- 149 kW@2200rpm.
Diesel tank	300 l
Def tank	38 l

TABLE 01

OVER FULL RANGE (360°). Crawlers fully extended - Slope 0° (+1°/-1°) and slope 0° (+0.5°/0.5°) - CWT 4400kg

RADIUS (m)	BOOM LENGTH											
	7,85	10,70	13,55	13,55	16,40	19,25	19,25	22,10	24,95	24,95	27,80	30,65
3	30.000	20.300	19.500	16.400	16.500	14.500	14.100	13.400				
4	19.000	18.000	17.000	16.400	17.000	14.700	14.300	13.600	11.000	10.000	4.500	4.000
5		12.700	11.700	11.500	12.600	13.200	11.600	12.000	11.000	10.000	4.500	4.000
6		9.000	9.000	8.800	10.400	10.500	9.300	9.800	9.000	9.600	4.500	4.000
7		7.000	7.000	6.900	8.400	9.000	7.700	8.200	7.400	8.300	4.500	4.000
8			6.500	5.700	6.900	7.500	6.400	6.900	6.300	7.000	4.500	4.000
9			6.000	4.500	5.600	6.400	5.300	5.900	5.300	6.200	4.500	4.000
10			5.000	3.500	4.600	5.400	4.400	5.000	4.500	5.300	4.300	4.000
11					3.900	4.600	3.600	4.300	3.800	4.600	3.900	3.400
12					3.300	4.000	3.000	3.700	3.300	4.100	3.400	3.100
13						3.500	2.500	3.200	2.900	3.600	3.000	2.600
14						3.100	2.100	2.700	2.500	3.200	2.600	2.300
15						2.700	1.700	2.400	2.100	2.800	2.400	2.000
16								2.000	1.800	2.500	2.000	1.700
17								1.800	1.500	2.200	1.800	1.600
18								1.500	1.300	2.000	1.600	1.400
19									1.100	1.800	1.400	1.200
20									900	1.600	1.200	1.000
21									700	1.400	1.000	800
22											850	700
23											700	600
24											600	400
25												
26												
27												
28												
Reeving	12	8	8	8	6	6	6	6	6	6	2	2
1a	0%	50%	0%	100%	50%	0%	100%	50%	100%	0%	50%	100%
2a	0%	0%	33%	0%	33%	67%	33%	67%	67%	100%	100%	100%
3a	0%	0%	33%	0%	33%	67%	33%	67%	67%	100%	100%	100%
4a	0%	0%	33%	0%	33%	67%	33%	67%	67%	100%	100%	100%
Maximum permissible wind speed v = 49 km/h												

TABLE 01

OVER FULL RANGE (360°). Crawlers fully extended - Slope 0° (+1°/-1°) and slope 0° (+0.5°/0.5°) - CWT 4400kg

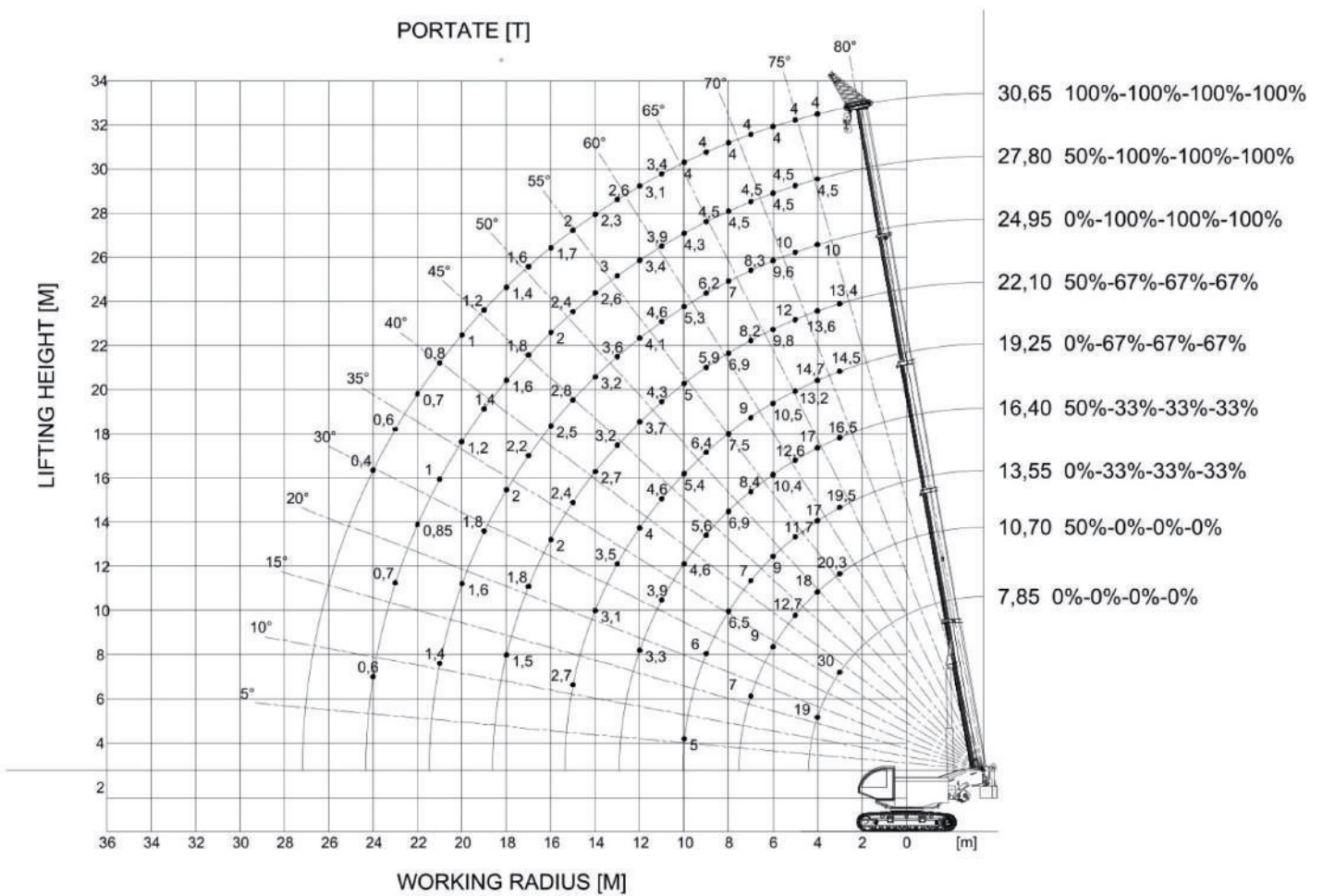


TABLE 01

OVER FULL RANGE (360°). Crawlers fully extended - Slope 0° (+1°/1°) and slope 0° (+0.5°/0.5°) - CWT 4400kg

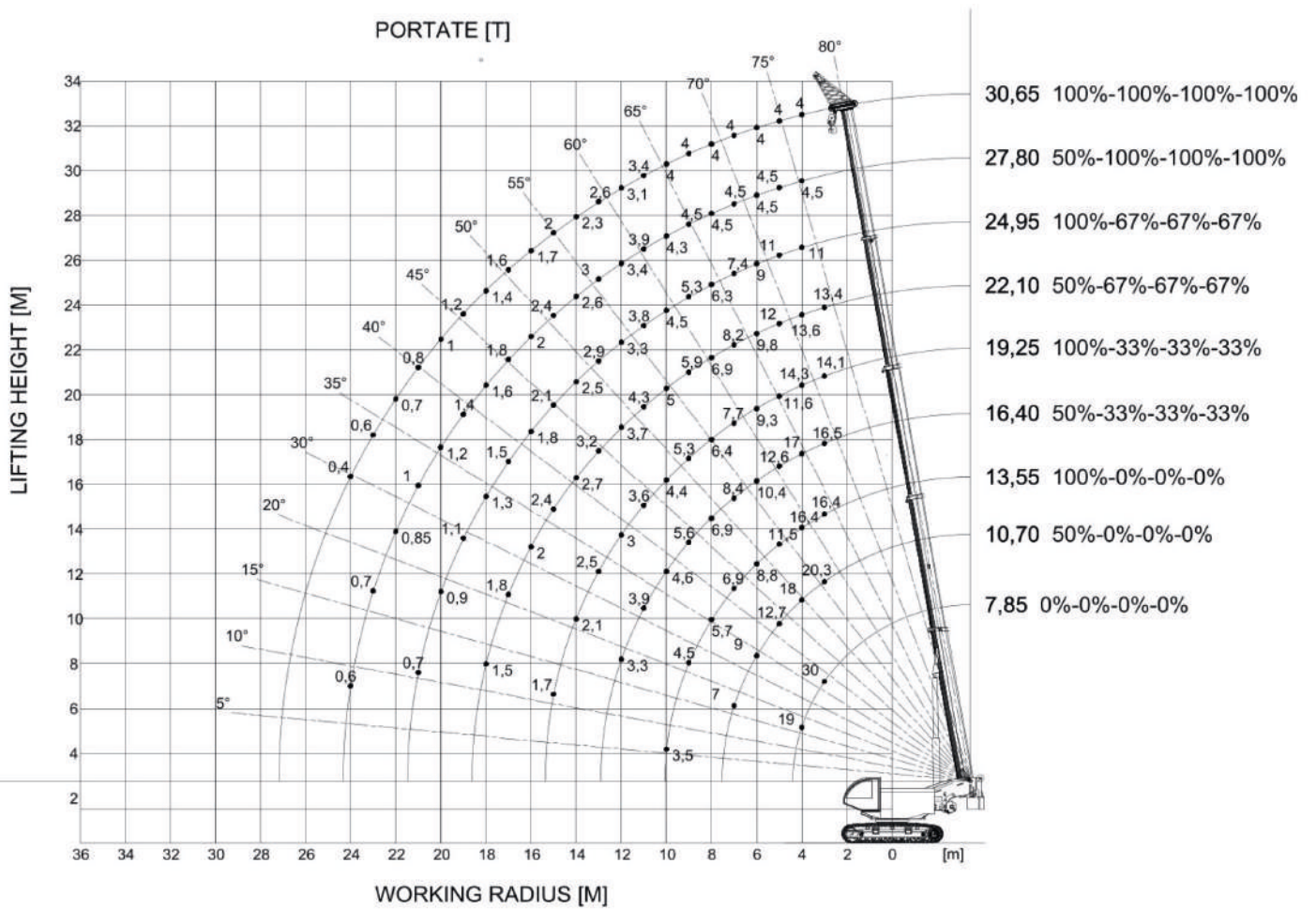


TABLE 02

360° PICK & CARRY. Travelling speed 4 km/h - Slope 0° (+3°/-3°) and slope 0° (+1°/1°) - CWT 4400kg

RADIUS (m)	BOOM LENGHT											
	7,85	10,70	13,55	13,55	16,40	19,25	19,25	22,10	24,95	24,95	27,80	30,65
3	12.000	10.800	12.000	10.800	6.700	6.700	6.200					
4	10.900	10.300	10.400	8.400	6.700	6.700	6.000					
5		7.500	8.000	6.400	6.700	6.700	5.600					
6		5.700	6.300	4.900	5.500	5.700	4.700					
7		4.400	5.100	3.800	4.400	4.800	3.800					
8			4.300	3.000	3.600	4.000	3.100					
9			3.600	2.400	3.000	3.400	2.600					
10			3.100	1.900	2.500	3.000	2.200					
11					2.200	2.600	1.800					
12					1.900	2.300	1.500					
13						2.000	1.200					
14						1.700	900					
15						1.500	700					
16												
17												
18												
19												
20												
21												
22												
23												
24												
25												
26												
27												
28												
Reeving	6	4	6	4	4	4	6	0	0	0	0	0
1a	0%	50%	0%	100%	50%	0%	100%	50%	100%	0%	50%	100%
2a	0%	0%	33%	0%	33%	67%	33%	67%	67%	100%	100%	100%
3a	0%	0%	33%	0%	33%	67%	33%	67%	67%	100%	100%	100%
4a	0%	0%	33%	0%	33%	67%	33%	67%	67%	100%	100%	100%
Maximum permissible wind speed v = 49 km/h												

TABLE 02

360° PICK & CARRY. Travelling speed 4 km/h - Slope 0° (+3°/-3°) and slope 0° (+1°/-1°) - CWT 4400kg

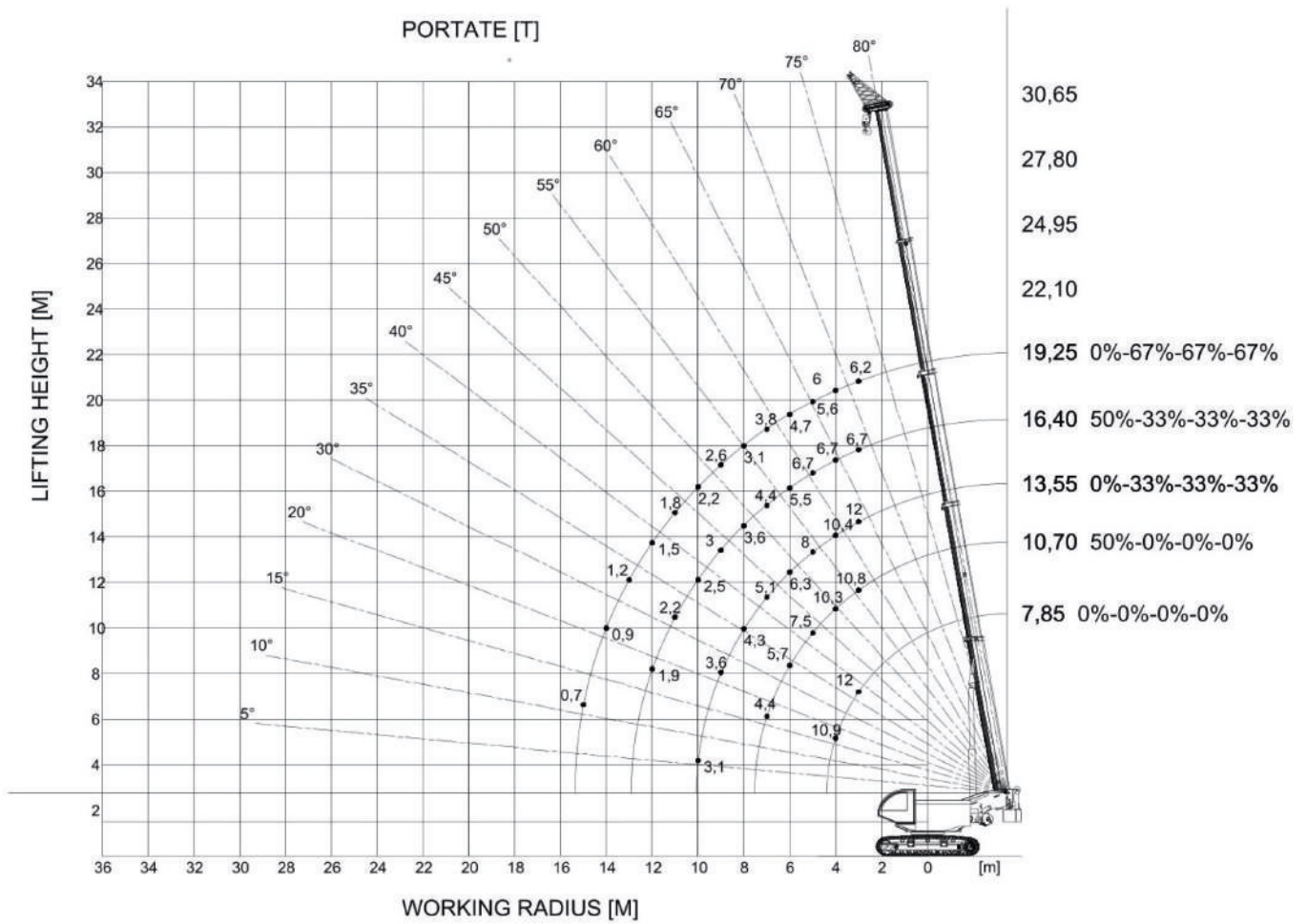


TABLE 02

360° PICK & CARRY. Travelling speed 4 km/h - Slope 0° (+3°/-3°) and slope 0° (+1°/-1°) - CWT 4400kg

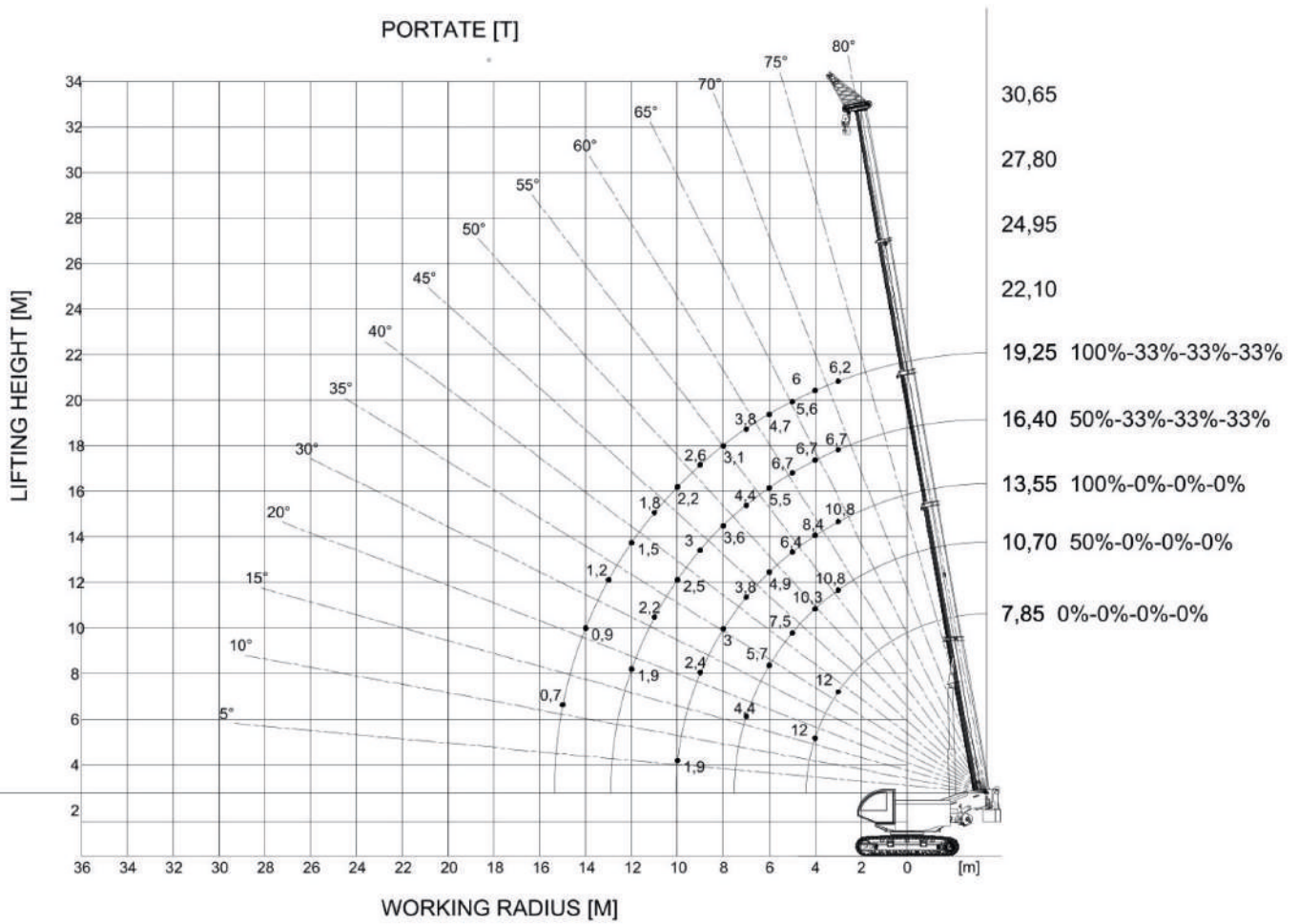


TABLE 03

OVER SPROCKET WHEEL. Crawlers fully extended - Slope 0° (+1°/-1°) and slope 0° (+0.5°/0.5°) - CWT 4400kg

RADIUS (m)	BOOM LENGTH											
	7,85	10,70	13,55	13,55	16,40	19,25	19,25	22,10	24,95	24,95	27,80	30,65
2,5	40.000											
3	30.000	22.000	19.500	16.500	16.500	14.500	14.100	14.000				
4	20.000	18.000	17.000	16.400	17.000	14.700	14.700	14.500	11.000	10.000	4.500	4.000
5		13.000	16.000	15.000	16.300	13.500	12.000	13.500	11.000	10.000	4.500	4.000
6		9.500	12.300	11.100	12.300	11.000	11.000	11.500	11.000	10.300	4.500	4.000
7		7.500	9.600	8.300	9.600	10.000	8.700	9.400	8.700	8.700	4.500	4.000
8			7.800	6.400	7.700	8.400	7.100	7.800	7.200	8.000	4.500	4.000
9			6.400	5.100	6.100	6.900	5.800	6.500	6.000	6.900	4.500	4.000
10			5.400	4.000	5.100	5.800	4.700	5.400	5.000	5.900	4.500	4.000
11					4.200	5.000	4.000	4.600	4.300	5.100	4.400	4.000
12					3.600	4.300	3.300	4.000	3.700	4.500	3.900	3.600
13						3.800	2.800	3.400	3.200	3.900	3.400	3.100
14						3.300	2.300	3.000	2.700	3.400	3.000	2.700
15						2.900	1.900	2.600	2.300	3.000	2.700	2.400
16								2.250	1.900	2.700	2.300	2.000
17								1.900	1.700	2.400	2.000	1.800
18								1.700	1.400	2.100	1.750	1.600
19									1.200	1.900	1.550	1.300
20									1.000	1.700	1.350	1.100
21									800	1.500	1.200	1.000
22											1.000	800
23											900	700
24											800	600
25												
26												
27												
28												
Reeving	16	8	8	8	6	6	6	6	6	6	2	2
1a	0%	50%	0%	100%	50%	0%	100%	50%	100%	0%	50%	100%
2a	0%	0%	33%	0%	33%	67%	33%	67%	67%	100%	100%	100%
3a	0%	0%	33%	0%	33%	67%	33%	67%	67%	100%	100%	100%
4a	0%	0%	33%	0%	33%	67%	33%	67%	67%	100%	100%	100%
Maximum permissible wind speed v = 49 km/h												

TABLE 03

OVER SPROCKET WHEEL. Crawlers fully extended - Slope 0° (+1°/-1°) and slope 0° (+0.5°/0.5°) - CWT 4400kg

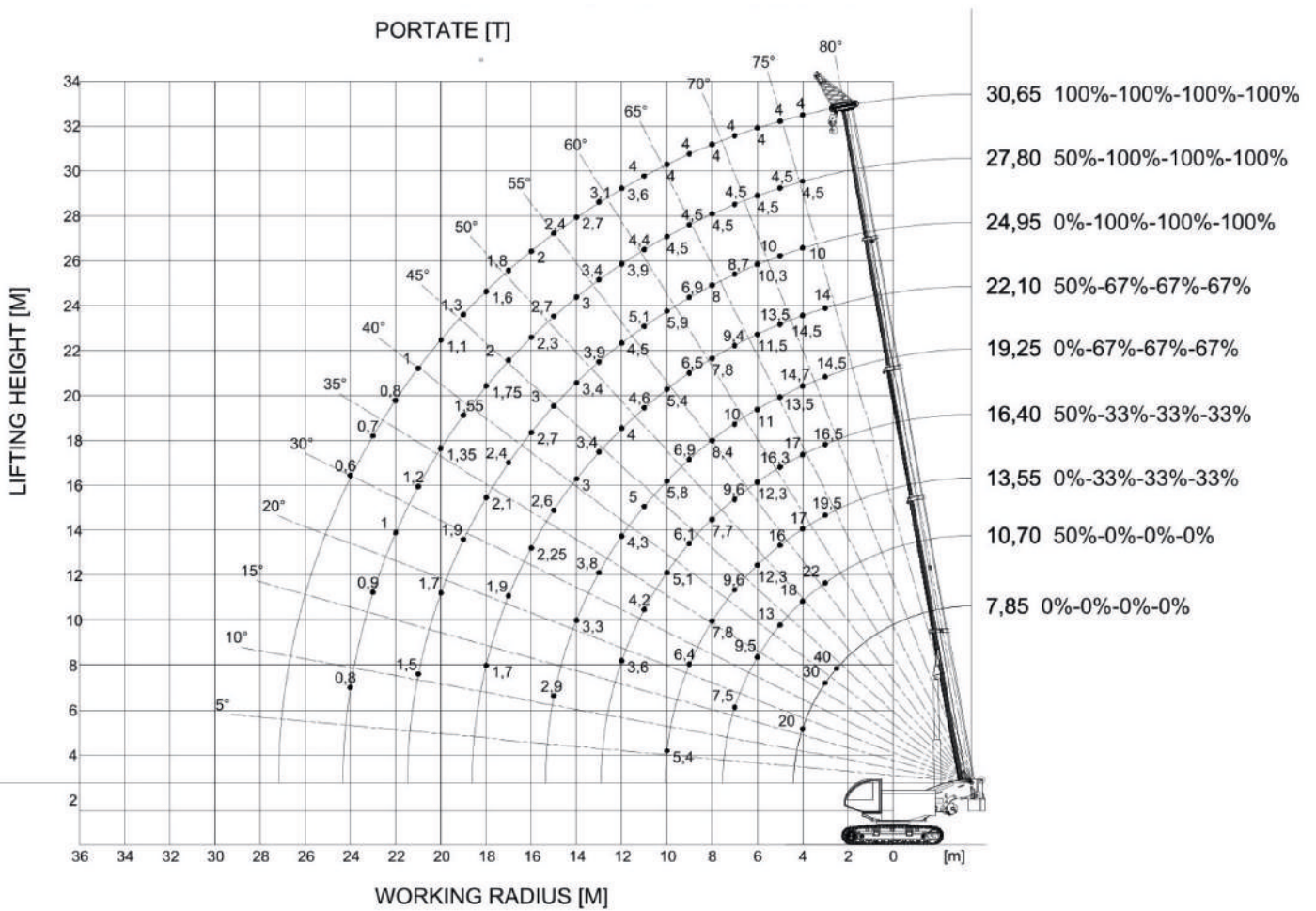


TABLE 03

OVER SPROCKET WHEEL. Crawlers fully extended - Slope 0° (+1°/-1°) and slope 0° (+0.5°/0.5°) - CWT 4400kg

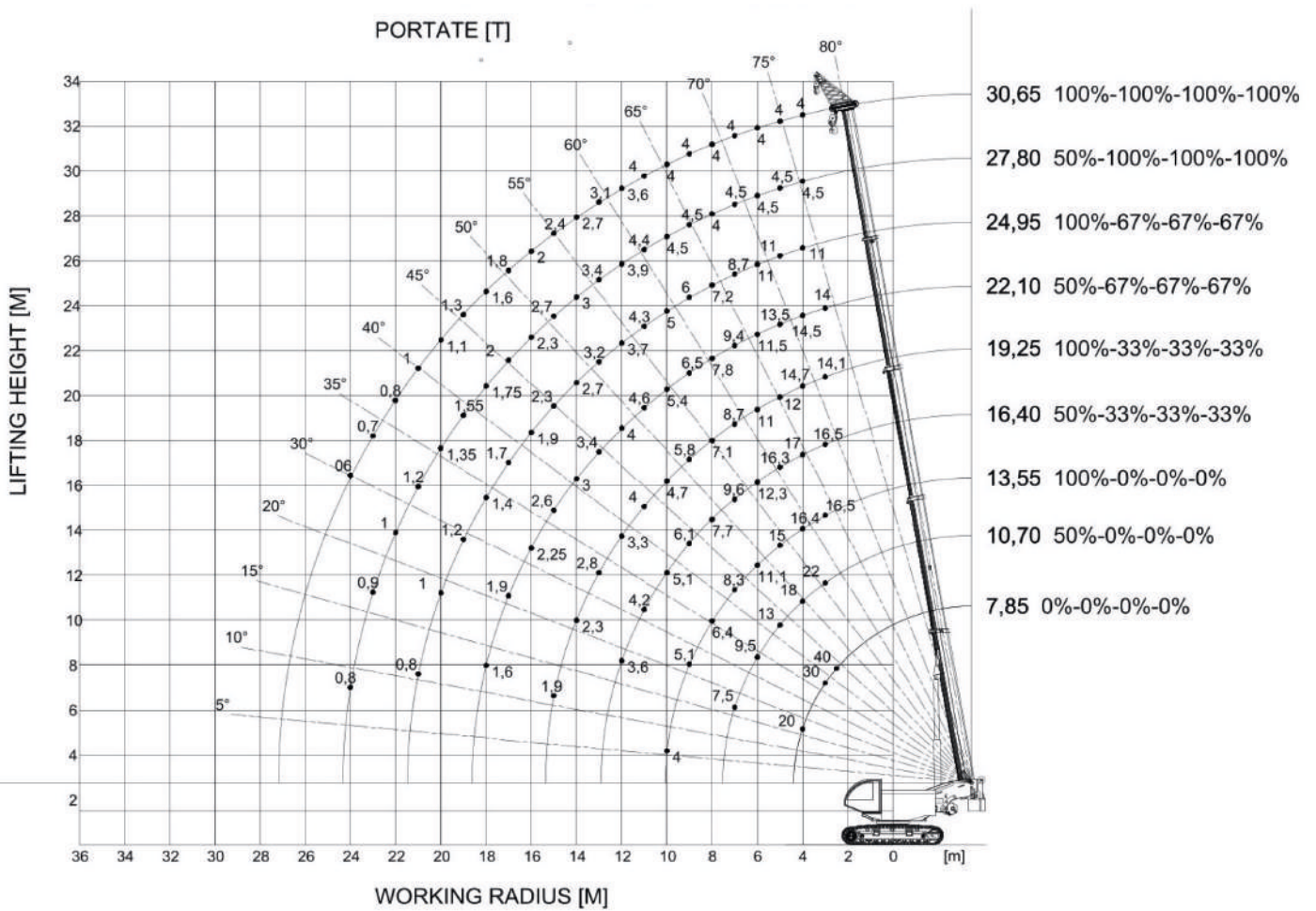
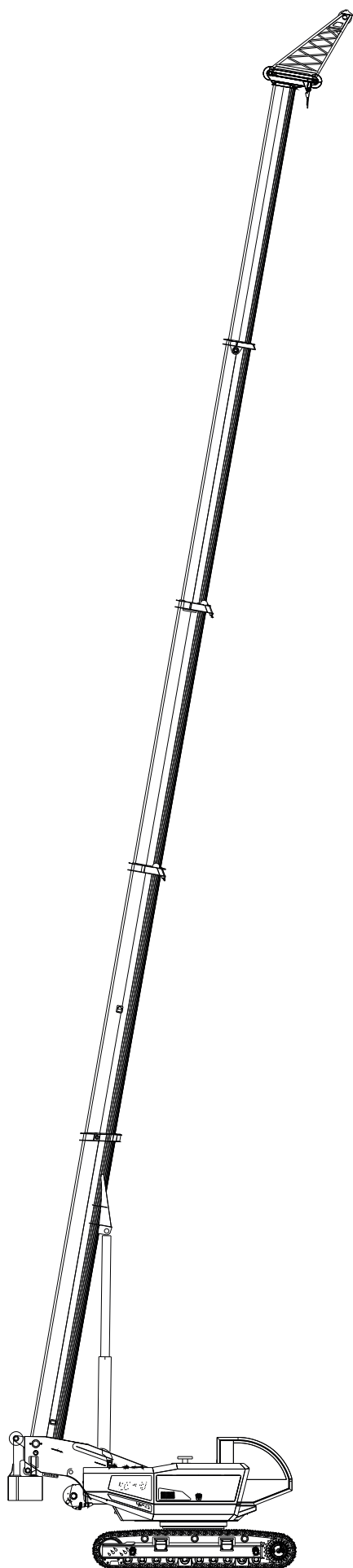


TABLE 04

OVER FULL RANGE (180°). Crawlers fully extended - Jib - Slope 0° (+1°/-1°) and slope 0° (+0.5°/0.5°) -
CWT 4400kg

RADIUS (m)	BOOM LENGHT											
	7,85	10,70	13,55	13,55	16,40	19,25	19,25	22,10	24,95	24,95	27,80	30,65
3	3.000	3.000	3.000	3.000	3.000	3.000	3.000	3.000				
4	3.000	3.000	3.000	3.000	3.000	3.000	3.000	3.000	3.000	3.000	3.000	3.000
5		3.000	3.000	3.000	3.000	3.000	3.000	3.000	3.000	3.000	3.000	3.000
6		3.000	3.000	3.000	3.000	3.000	3.000	3.000	3.000	3.000	3.000	3.000
7		3.000	3.000	3.000	3.000	3.000	3.000	3.000	3.000	3.000	3.000	3.000
8			3.000	3.000	3.000	3.000	3.000	3.000	3.000	3.000	3.000	3.000
9			3.000	3.000	3.000	3.000	3.000	3.000	3.000	3.000	3.000	3.000
10			3.000	3.000	3.000	3.000	3.000	3.000	3.000	3.000	3.000	3.000
11					3.000	3.000	3.000	3.000	3.000	3.000	3.000	3.000
12					3.000	3.000	3.000	3.000	3.000	3.000	3.000	3.000
13						3.000	2.500	3.000	2.900	3.000	3.000	2.600
14						3.000	2.100	2.700	2.500	3.000	2.600	2.300
15						2.700	1.700	2.400	2.100	2.800	2.400	2.000
16								2.000	1.800	2.500	2.000	1.700
17								1.800	1.500	2.200	1.800	1.600
18								1.500	1.300	1.900	1.600	1.400
19									1.100	1.700	1.400	1.200
20									900	1.500	1.200	1.000
21									700	1.300	1.000	800
22											850	700
23											700	600
24											600	400
25												
26												
27												
28												
Reeving 2 nd winch	2	2	2	2	2	2	2	2	2	2	2	2
1a	0%	50%	0%	100%	50%	0%	100%	50%	100%	0%	50%	100%
2a	0%	0%	33%	0%	33%	67%	33%	67%	67%	100%	100%	100%
3a	0%	0%	33%	0%	33%	67%	33%	67%	67%	100%	100%	100%
4a	0%	0%	33%	0%	33%	67%	33%	67%	67%	100%	100%	100%
Maximum permissible wind speed v = 49 km/h												



OPTIONAL EXTRAS

- Auxiliary winch
- Jib: 1.5 m
- Jib: 6 m - foldable and adjustable from 0° to 20°
- Tilting cab
- Industry 4.0 kit
- Cameras / additional headlights kit
- Electric fuel pump
- Radio remote control for loading and unloading
- Custom paint finish
- Rubber track pads kit



All data, technical characteristics and information reported in this document are for informational purposes and are subject to change without any prior notice requirement. All specifications described do not constitute a guarantee since the performance of the machine varies depending on use.

Machine illustrations may contain optional and additional equipment. The dimensional data refers to average reference measurements indicated for informational purposes only.

The commissioning of the machine and its correct use require compliance with the use and maintenance manual.

The weights of hooks, blocks and all lifting accessories are part of the load and must be deducted from the loads indicated.

Please contact TeknoGRC for more information regarding optional and additional equipment.

OUR RANGE



TK20



TK30



TK40



TK40 HD



TK45 LS



TK35 T



CG 2040



TKC150-5

Do you need a custom crane? We make machinery on request specific to the customer's needs.
For more information, contact us at the e-mail address info@teknogrc.it



TEKNO GRC s.r.l.

Via Vecchia Fornace, 31
24050 Bariano (BG)

+39 0363 958311
info@teknogrc.it

www.teknogrc.it