



TK35 T

LATTICE BOOM CRAWLER CRANE

TK35 T

Suitable for use on construction sites, especially for foundation work.





35 t
MAX LOAD CAPACITY

29.5 m
MAX LIFTING HEIGHT

4 km/h
MAX SPEED

28 t
TOTAL WEIGHT (with 17 m boom)

129 kW
ENGINE

The TK35 T is a hydraulic crawler crane with a lattice boom, suitable for all types of applications. Thanks to its crawler undercarriage, it is particularly well-suited for use on construction sites, especially for foundation work, where it proves effective for inserting reinforcement cages, tremie pipes, etc. The TK35 T is available with various lattice boom lengths to meet different operational needs.

BOOM

LATTICE BOOM

Lattice boom available in different configurations with 3 m or 6 m sections

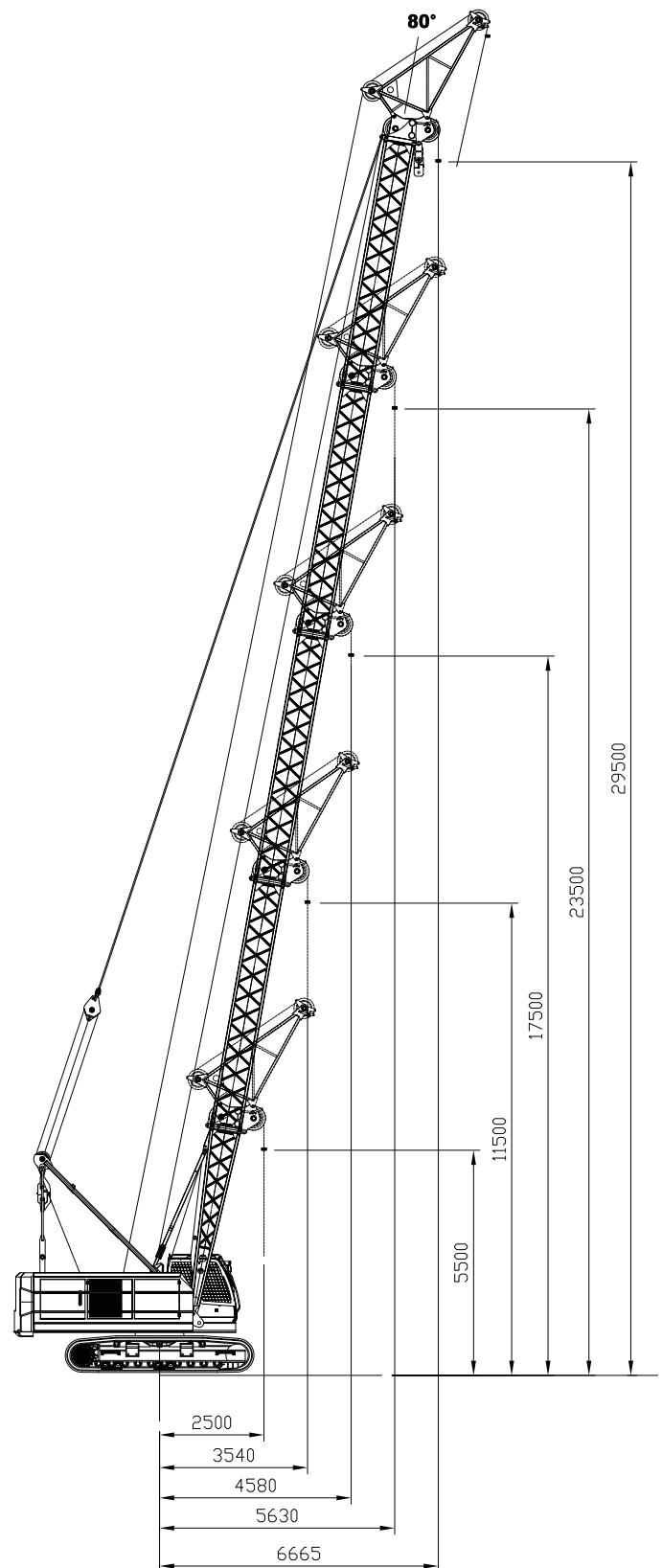
BOOM LENGTH

With 3 m sections:

- 11 m
- 14 m
- 17 m
- 20 m
- 23 m
- 26 m
- 29 m

With 6 m sections:

- 11 m
- 17 m
- 23 m
- 29 m





CAB

DRIVING

Ergonomic driving system with electronic foot controls (optional steering wheel and pedal accelerator available). Dual Path mode with active counter-rotation. Automatic/manual Park Brake management.

OPERATOR'S CAB

Cab with great visibility, comfortable and equipped with sliding windows. Front and upper glass with wiper. Corrosion resistant paint. Wide visibility for different working conditions.

COMFORT

Air conditioning, heating and air-suspension seat. Seat belts. Ample lighting in the operator's cab.



Ergonomic driving with electronic foot controls



Clear and intuitive instrument panel



Control joystick for operating functions (right)



Control joystick for operating functions (left)

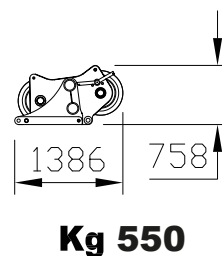
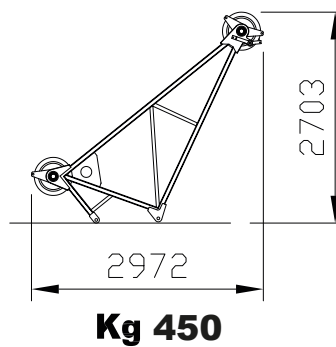
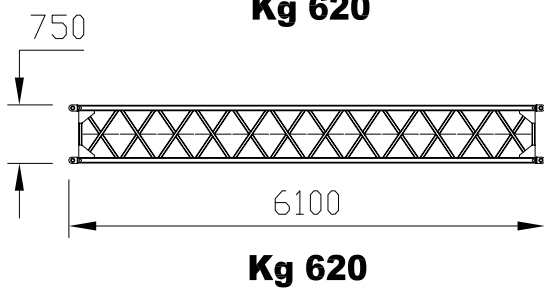
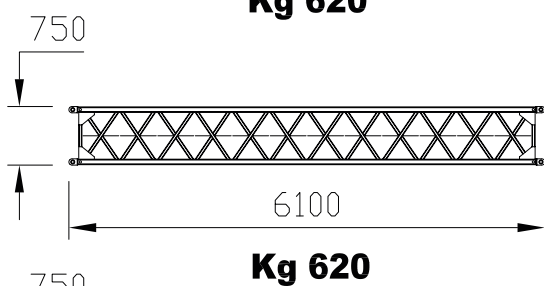
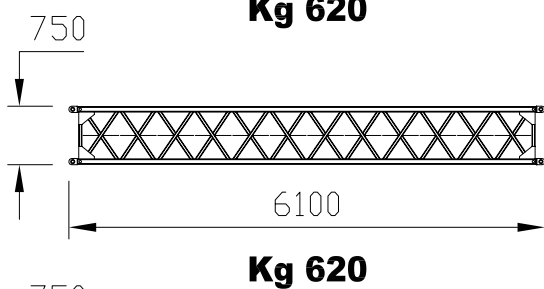
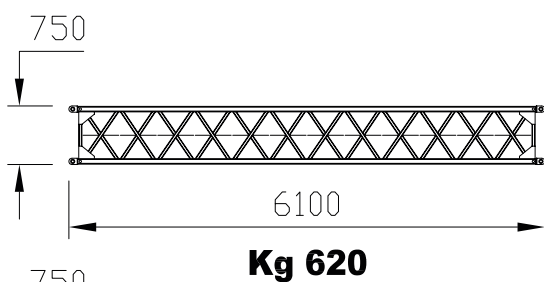
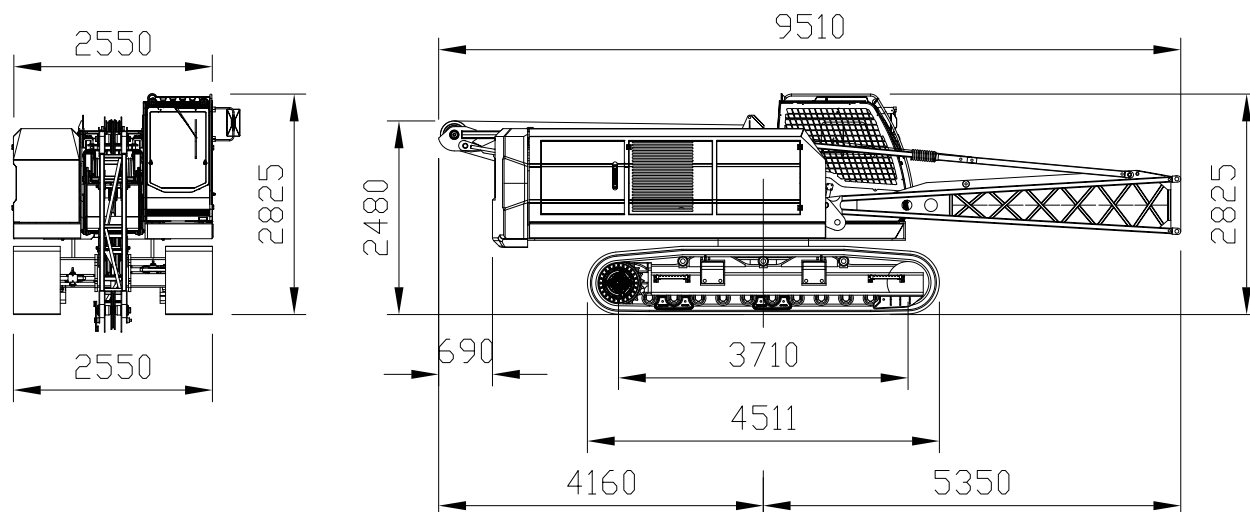


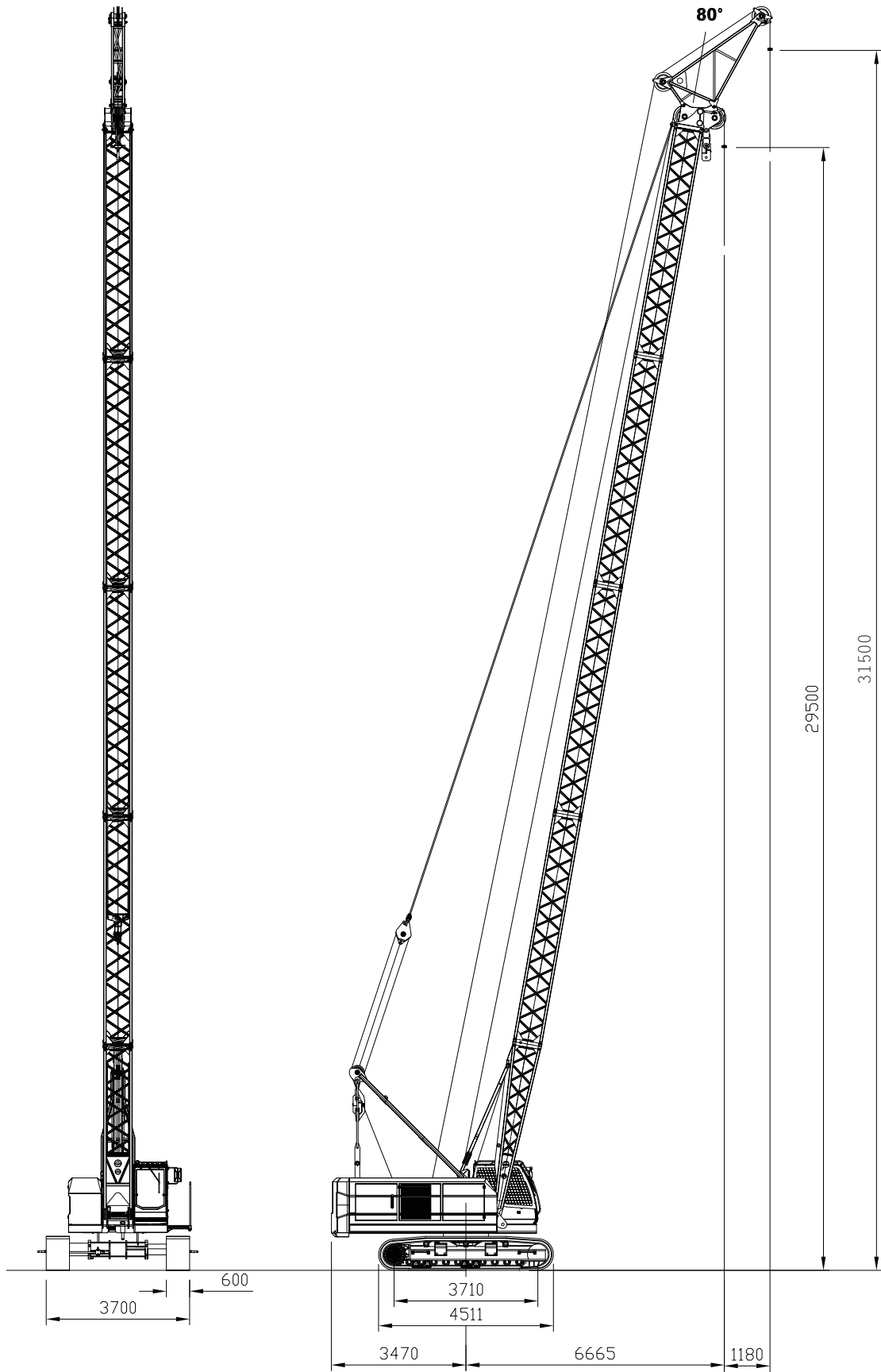
Comfortable cab equipped with air conditioning, heating, air-suspension seat



TECHNICAL FEATURES	Maximum load capacity	35	t
	Capacity	35	t
	Maximum lifting height	29.5	m
OPERATING SPEED	Winch speed	0-33/0-66	m/min
	Length and diameter of main winch ropes	L 100 Ø 26	m - mm
	Length and diameter of auxiliary winch ropes	L 120 Ø 12	m - mm
	Length and diameter of rear arm winch ropes	L 40 Ø 16	m - mm
	Turret rotation speed	2	r/min
	Maximum speed	4	km/h
	Maximum slope	87.8	%
CRANE	Emissions	EU 2016/1628	
	Total weight with 17 m boom	28	t
DIMENSIONS	Total size	9,510 x 2,550 x 2,825	mm
	Boom length	Different configurations with 3 or 6 m sections	
	Boom tilt	30° 80°	

DIMENSIONS





EQUIPMENT

UNDERCARRIAGE

Undercarriage	Tracked undercarriage with hydraulically widenable track. Track width of 600mm.
Travel	Hydraulic travel drive controlled by a Danfoss control unit. Two pumps and two closed-circuit motors allow it to reach 4 km/h. The machine is equipped with an anti-dumping filter to absorb the oscillations on the pedal and on the steering wheel during the work phase.
Electrical system	CAN Bus data transmission. 24 Volt direct current.

DRIVING

Driving	Ergonomic driving with foot controls and acceleration for crane management. Dual Path mode with active counter-rotation. Automatic/manual Park Brake management.
Operator's cab	Cab with great visibility, comfortable and equipped with sliding windows. Front and upper glass with wiper. Corrosion resistant paint. Wide visibility for different working conditions.
Comfort	Air conditioning, heating and air-suspension seat. Seat belts. Ample lighting in the operator's cab.

BOOM

Boom	Lattice boom available in different configurations with 3 or 6 m sections
Boom length	With 3 m sections: 11 / 14 / 17 / 20 / 23 / 26 / 29 m With 6 m sections: 11 / 17 / 23 / 29 m





EQUIPMENT

TURRET

Chassis	Anti-torsion welded structure, in high-strength steel.
Rotation	Continuous 360° using axial piston hydraulic motor. Planetary gearbox with internal toothed fifth wheel and double row of balls. Multiple disc negative brake.
Control	Hydraulically operated manipulators with the possibility of simultaneous proportional maneuvers.
Lifting winch	Variable displacement axial piston engine. Lifting drum with integrated planetary gearbox and parking brake with multiple discs. Block valve and descent control. Cable gland to improve the winding of the rope on the drum.
Hydraulic system	Open circuit system with axial piston hydraulic pumps. Proportional hydraulic distributors with load sensing power regulation. Possibility of performing multiple maneuvers simultaneously. Heat exchanger for oil cooling. Oil filtering through 1 cartridge filter on the return circuit.
Hydraulic oil tank	400 l
Electrical system	24 V power supply. CAN Bus vehicle management network. 2 batteries, each with 143Ah.
Safety devices	Electronic load limiter with indication of boom tilt, boom length, lifted load, maximum liftable load. Limit switches. Safety valves on all hydraulic functions.
Ballast	In a single piece with a weight of 5 tons.
Cameras	1 camera located on the rear side to increase visibility during more restricted maneuvers. 1 camera for supervising the winding of the rope on the winch.

ENGINE

Engine	Motore Cummins B 3.8 Stage V- Tier 4f- 129 kW@2200rpm.
Diesel tank	300 l
Def tank	38 l

OPTIONAL EXTRAS

- Free fall winch
- Tilting cab
- Industry 4.0 kit
- Cameras / additional headlights kit
- Electric fuel pump
- Radio control for loading and unloading
- Custom painting
- Rubber pads kit

All data, technical characteristics and information reported in this document are for informational purposes and are subject to change without any prior notice requirement. All specifications described do not constitute a guarantee since the performance of the machine varies depending on use.

Machine illustrations may contain optional and additional equipment. The dimensional data refers to average reference measurements indicated for informational purposes only.

The commissioning of the machine and its correct use require compliance with the use and maintenance manual.

The weights of hooks, blocks and all lifting accessories are part of the load and must be deducted from the loads indicated.

Please contact TeknoGRC for more information regarding optional and additional equipment.

OUR RANGE



TK20



TK30



TK40



TK45 LS



TK35 T



CG 2040



TKC150-5

Do you need a custom crane? We make machinery on request specific to the customer's needs.
For more information, contact us at the e-mail address info@teknogrc.it



TEKNO GRC s.r.l.

Via Vecchia Fornace, 31
24050 Bariano (BG)

+39 0363 958311
info@teknogrc.it

www.teknogrc.it